



HEBVEST

performance • reliability • simplicity



operator's manual

4 Slice Commercial Toaster



Model No.	Description	Voltage
CT04MD	4 Slice Commercial Toaster	120v



USE 4 Slice Commercial Toaster

safety precautions

When using electrical appliances, basic safety precautions should always be followed, including the following:

Operation:

1. Read all instructions carefully and completely.
2. For commercial use only.
3. DO NOT touch hot surfaces.
4. Protect against electrical shock by keeping all cords, plugs, and other electrical components away from water or other liquids.
5. Unplug this unit when not in use and before cleaning.
6. Allow the unit to cool before putting on or taking off parts.
7. DO NOT operate this or any appliance with a damaged electrical cord or plug.
8. DO NOT operate this or any appliance after it has malfunctioned or has been damaged in any way.
9. DO NOT use outdoors.
10. DO NOT place on or near a hot gas or electric burner.
11. Attach plug to appliance first, then plug electrical cord into the wall outlet.
12. Disconnect the unit by removing the electrical plug from the wall outlet.
13. DO NOT use appliance for any application other than intended use.
14. DO NOT insert metal utensils or oversized foods into this unit, as they may cause a fire and heighten the risk of electrical shock.
15. DO NOT store any item on top of this unit when in operation.
16. DO NOT allow this oven to touch or to be covered by flammable material, such as curtains, draperies, walls, etc., when in operation.
17. DO NOT clean with metal scouring pads, as pieces can break off and touch electrical components, heightening the risk of electrical shock.
18. Never place materials such as paper, cardboard, plastic, etc. in this oven.
19. DO NOT cover interior of this unit with metal foil, as it may cause the oven to overheat.
20. Avoid scratching the surface or nicking the edges of this unit. If the oven is damaged or broken, contact customer service before use.
21. Turn off the appliance by removing the plug from the wall outlet.
22. Note that the use of accessories not recommended by the manufacturer may result in injury.
23. Children should be supervised to ensure that they DO NOT play with the oven.
24. This appliance is not intended for use by persons (including children) with reduced physical sensory or mental capabilities, or lack of experience and knowledge, unless a person responsible for their safety has given them supervision or instruction concerning use of the appliance.
25. When using the appliance in shops, snack bars, hotels etc., check the voltage and outlet to make sure the appliance is correctly connected with power.
26. Place unit on a flat surface that is well ventilated. The appliance must be supervised during operation. DO NOT leave appliance without powering off.

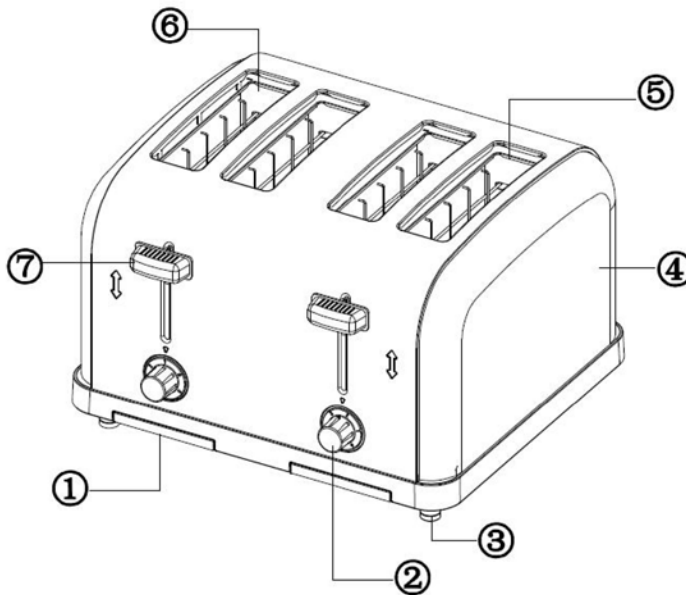
NOTE: Save these instructions for future reference.



HEBVEST

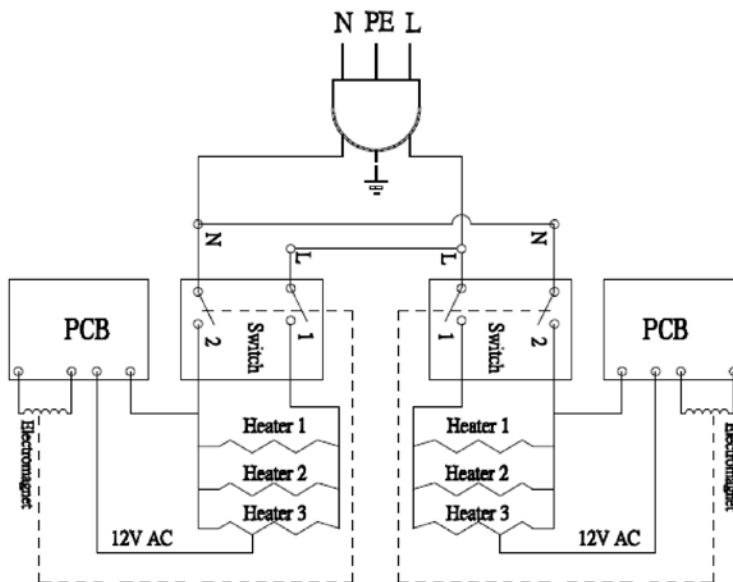
diagrams 4 Slice Commercial Toaster

key parts



- 1. CRUMB TRAY
- 2. BROWN LEVEL CONTROL KNOB
- 3. FOOT
- 4. SIDE PANEL
- 5. SLOT
- 6. SLOT
- 7. LIFT CARRIAGE

circuit diagram





USE 4 Slice Commercial Toaster

before using **your toaster**

Before cooking anything in your oven for the first time, please follow these simple instructions:

1. Use a damp cloth to wipe the interior and shell.
 - DO NOT use a spray or abrasive polishing agent
 - DO NOT wash or soak this oven with water
2. Preheat to its highest temperature setting for 5 minutes.
 - The heating elements are well lubricated, and this initial use will help burn off the extra grease.
 - A light amount of smoke is normal during this process.

before using **your toaster**

1. Load the food.
2. Set desired brown level.
 - There are 2 Brown Level Control Knobs on the front panel of the oven. Each one controls the 2 slots above. Set the desired brown level with the knobs before pressing down the Lift Carriage.
3. Press the Lift Carriage down; the oven will start heating.
4. Once the toasting cycle is complete, the oven will 'ding' and the food will pop up automatically.
 - If you need to cancel cooking before the cycle is completed, raise up the Lift Carriage. Food will pop up, and the cycle will end.

CAUTION: During the baking process, make sure that no metal accessory comes in contact with the electric heating elements.

CAUTION: Foods baked in this oven will be hot. Use tools when reaching into the oven to retrieve food.

TYPICAL OPERATION **SEQUENCE**

ACTION	RESULT
Plug in your toaster	Power is connected, and toaster is ready for cooking
Load food into the slot	Food is ready to be cooked
Adjust brown level control knob	Set the brown level of food
Press the lift carriage down	Toaster starts heating
Raise up the carriage	Toaster stops toasting
Unload toaster	Product will be cooked/hot; use caution while removing



USE 4 Slice Commercial Toaster

cleaning & maintenance

1. Unplug the power cord from the wall outlet.
2. Wait for the toaster to cool.
3. Use a damp cloth or sponge to gently wipe down the inside of the toaster.

CAUTION: DO NOT soak this toaster in water or use running water to clean it. THIS WILL CAUSE SERIOUS DAMAGE TO THE UNIT.

troubleshooting

PROBLEM: The toaster does not become hot after being switched on.

- Be sure that the brown level is set.
- Be sure that the lift carriage is pressed down.

PROBLEM: There is a metallic sound when the toaster is in use.

- DO NOT attempt to dismantle your toaster.
- Discontinue use, and contact your service agent right away for examination.

PROBLEM: Food is often overcooked or burned.

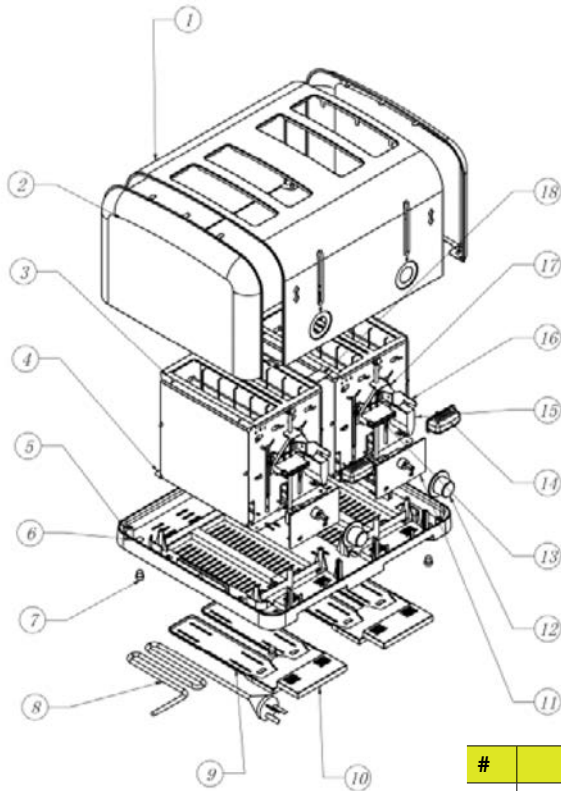
- Check that the brown level is correctly set.
- Contact your service agent for examination.



HEBVEST

diagrams 4 Slice Commercial Toaster

all parts



Model #	CT04MD
VOLTAGE	120V
HERTZ	60Hz
WATTAGE	1800W
DIMENSIONS	12"W x 10½"D x 7 3/4"H
UNIT WEIGHT	6 lb.
SHIPPING WEIGHT	7.4 lb.
SLOT SIZE	1/2"
PLUG	NEMA 5-15P

#	PART	SPECIFICATION	QUANTITY
1	Shell	SUS430	1
2	Side Panel	SUS430	2
3	Junction Plate	Galvanization Board	2
4	Interior Assembly	900W	2
5	Corner Cushion	PP	2
6	Base Assembly	PP	1
7	Foot Cushion	Rubber	4
8	Power Cord	3x16AWG	1
9	Crumb Tray	Galvanization Board	2
10	Crumb Tray Gusset Plate	PP	2
11	PCB	PCB	2
12	Brown Level Control Knob	PP	2
13	Magnet Plate	Galvanization Board	2
14	Lift Carriage	PP	2
15	Lift Supporter	PA	2
16	Lift	Galvanization Board	2
17	Fixture Bracket	PA	2
18	Interior Connecting Plate	Galvanization Board	2