

HEBVEST

performance • reliability • simplicity



operator's manual **#22 Electric Meat Grinder**



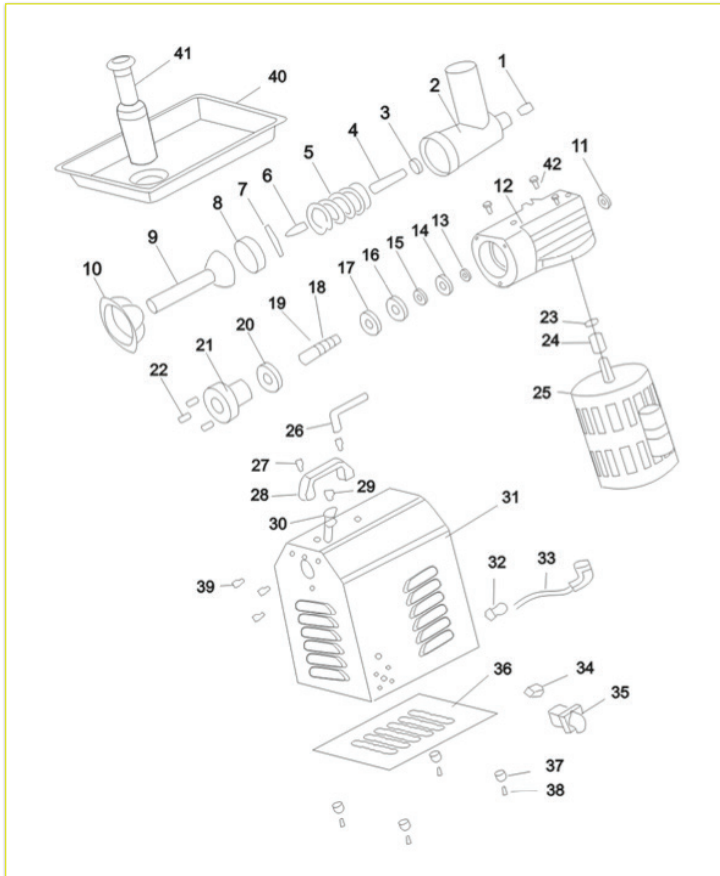
Model No.	Description	HP
MG22HD	#22 Meat Grinder - Heavy Duty	1.5 HP



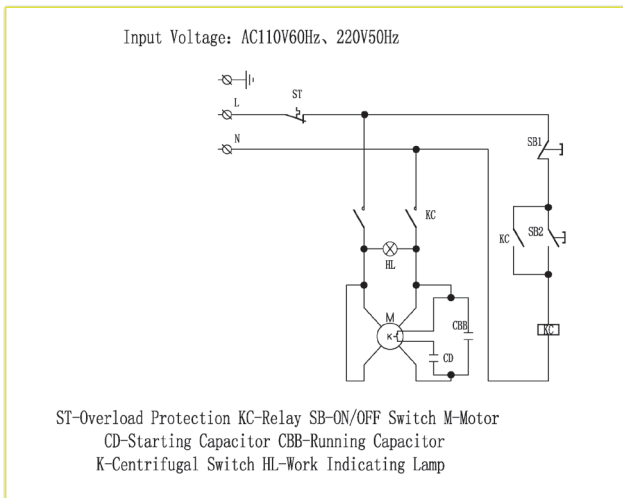
HEBVEST

diagrams #22 Electric Meat Grinder

exploded view



wiring diagram





spare parts list #22 Electric Meat Grinder

Callout	Description
1	Copper Case
2	Main Body
3	Nylon Spacer
4	Screw Feeder Drive
5	Screw Feeder
6	Square Auger Stud
7	Four-piece Knife
8	Round Knife
9	Stuffing Plate
10	Retaining Ring
11	Oil Seal Screw
12	Drive Chest
13	Block Reed
14	Bearing
15	Bushing
16	Wheal
17	Bearing
18	Flat Key
19	Wheal Axle
20	Skeleton Oil Seal
21	Link Case
22	Inside Six-side Screw
23	Screw
24	Worn
25	Motor
26	Six-side Spanner
27	Inside Six-side Screw
28	Handle
29	Oil Seal Screw
30	Lock Screw
31	Motor Cover
32	Power Cable Bushing
33	Power Cable
34	Fuse Bushing
35	On-Off Switch
36	Bottom Cover
37	Rubber Feet
38	M6 Screw
39	Outside Six-side Screw
40	Stainless Steel Pan
41	Stomper



USE #22 Electric Meat Grinder

function & purpose:

This unit is intended to be used for the grinding of boneless and skinless meat products in commercial foodservice operations only.

Before using all surfaces and parts must be cleaned and dried thoroughly.

operation:

- Plug the equipment into a properly grounded electrical supply matching the nameplate rating.
- Before grinding, tighten the thumb screw until secure. Do not use a tool to tighten the thumb screw. Hand tighten only.
- Use meat stuffer to push food product into the grinder chamber.
- Permanently lubricated gearbox is equipped with sufficient grease for several years of operation. There is no need to add any additional grease.
- If grinder becomes overloaded the reset switch needs to be manually reset once the unit has cooled down.
- After each use unplug equipment, turn off and let it cool down before cleaning or moving.

troubleshooting:

Problem	Possible Solution
Erratic or slow output	Blade is in backwards
Metal ends break off blade	Blade is in backwards
Grinder stops operating or motor sounds sluggish	Grinder is overloaded or coupling cover is too tight
