

HEBVEST

performance • reliability • simplicity



operator's manual

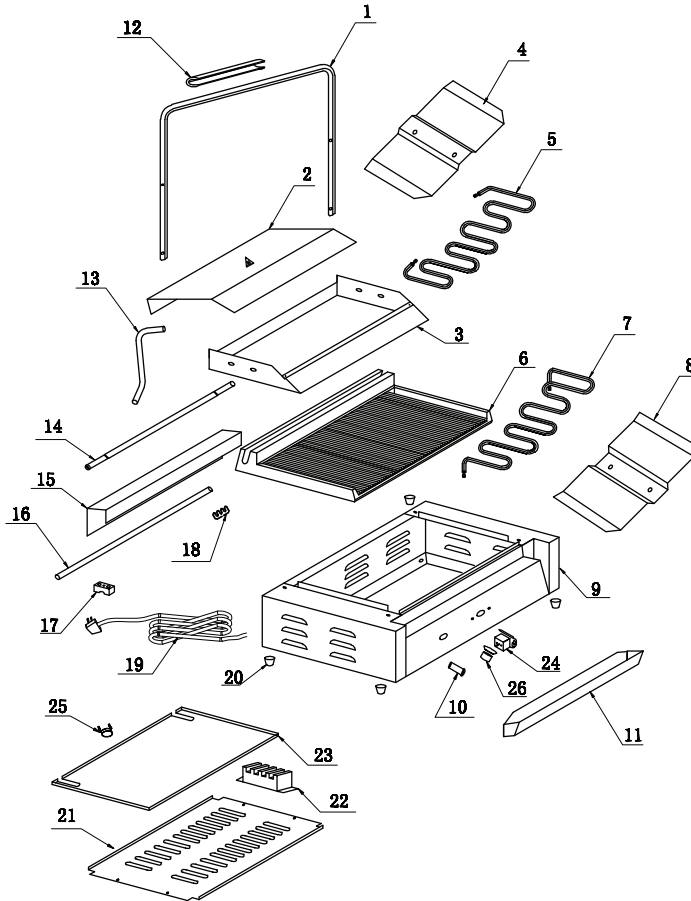
Italian Panini Press Cast Iron - Ribbed Top & Bottom

IP04HD

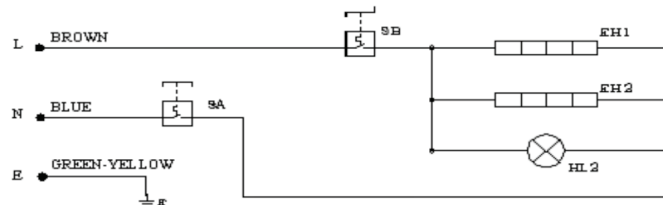
Model No.	Description	Voltage
IP04HD	Italian Panini Press Cast Iron - Ribbed Top & Bottom	120v



exploded view



wiring diagram



- HL2 HEATING INDICATOR
- SA TEMPERATURE CONTROLLER (Temperature Limiter)
- E GROUND CONNECTION
- SB TEMPERATURE CONTROLLER (Termostate)
- EH1, EH2 HEATING WIRE



spare parts list Italian Panini Press Cast Iron - Ribbed Top & Bottom

Part No. of Diagram

1	Handle	
2	Top Cover	
3	Top Grill Plate (Ribbed)	
4	Top Element Cover Plate	
5	Top Heating Element	120V/800W
6	Bottom Grill Plate (Ribbed)	
7	Bottom Heating Element	120V/1000W
8	Bottom Element Cover Plate	
9	Press Body	
10	Pilot Light	
11	Oil Tray	
12	Handle Grip	
13	Wiring Guide Tube	
14	Upper Plate Shaft	
15	Rear Upper Cover	
16	Rear Shaft	
17	Shaft Retainer	
18	Spring	
19	Power Cord	
20	Rubber Foot	
21	Bottom Cover	
22	Ceramic Terminal Board	
23	Bottom Pan	
24	Thermostat	EGO
25	Temperature Limiter	
26	Control Knob	



HEBVEST

USE Italian Panini Press Cast Iron - Ribbed Top & Bottom

function & purpose:

This medium duty panini grill is capable of toasting a variety of sandwiches and breads. The thermostat also acts as the "ON" and "OFF" switch.

Operation:

- Install your press in a convenient location for general operation and ease of cleaning.
- This press includes a self-leveling top plate to suit a variety of product thicknesses.
- The pilot light indicates when the element is energized.
- When not in use keep the lid open, and turn the temperature down to the lowest setting.
- Before cleaning always ensure the unit is turned off and disconnected from the mains. DO NOT immerse in water to clean ... Use a damp cloth and wait at least 45 minutes before re-connecting.