



# HEBVEST

performance • reliability • simplicity



operator's manual

## Conveyor Toaster with 3" Opening



CT02HD

Model No.	Description	Watts
CT02HD	Conveyor Toaster with 3" Opening	1900



# HEBVEST

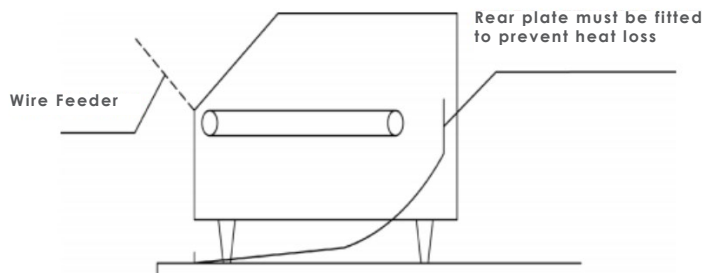
## USE Conveyor Toaster with 3" Opening

### general **installation:**

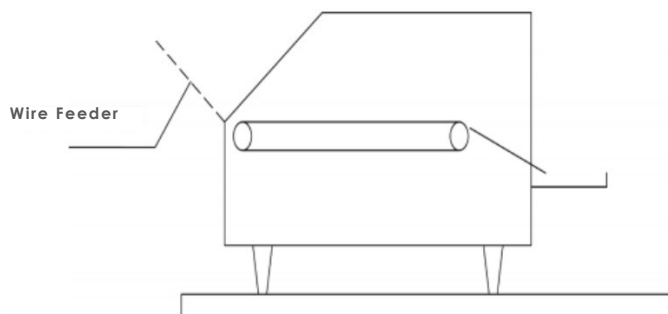
1. Make sure that the incoming voltage is the same as the rated voltage of the unit as found on the serial plate.
2. This unit has been designed to continuously produce toasted bread or buns. The desired donous of the product can be adjusted by changing the belt speed. The finished product can be discharged out the fron or rear, depending on the installation position.
3. Before commencing operation ensure the feet are assembled to the unit.

### operating **instructions:**

#### Front Discharge



#### Rear Discharge



1. Speed control determines the length of time the product will be in the chamber ... The slower the speed the darker the finished product.
2. There are 4 heat control setting.
  - a. "OFF"
  - b. "STANDBY" – Keeps the elements warm
  - c. "BREAD" - Both top and bottom elements operate at full capacity toasting both sides
  - d. "BUNS" – Only the top element operates toasting one side



# HEBVEST

## USE Conveyor Toaster with 3" Opening

### specifications:

Name	Model	Voltage	Power	Dimensions
Toaster	UC36W	110v~120v	1.3KW	510*360*380mm
Toaster	UC37W	110v~120v	1.9KW	510*440*380mm
Toaster	UC38W	110v~120v	2.2KW	510*540*380mm

### installation & operation:

1. Please read instructions carefully before operating this appliance.
2. FY toasters are designed to operate on AC current only.  
DO NOT connect to DC(DIRECT CURRENT)Asupply
3. Ensure that the incoming Voltage is the same as the rated voltage for the appliance  
(as specified on the label)
4. The temperature is thermostacaly controlled between the range of 500 C to 3000 C.  
The Green signal lamp indicates if the power is on. The Red signal lamp indicates  
the status of the elements
5. Before using the appliance for the first time,close lid turn the control knob to 3000C,  
allow the grill to hear for +-30 minutes. You may notice the appearance of smoke.  
This comes from the insulation and is normal
6. After 30 minutes heating,ture temperature control down to desired operating temperature.  
Allow approximately 10 mins for appliance to cool toooperating teperature
7. Appliance is provided with grease cup that receives scraped residues.
8. This applianceshould be preheated daily operation.Always allow 15minutes preheat time  
with lid closed before loading oaster. This ensures an even distribution of heat between the  
top and bottom plates.
9. To turn off your appliance turn thermostat knob completely towards left.

#### IMPORTANT

1. Care should be taken when operating this appliance as HOT SURFACES may cause burns.
2. Ensure that the power supply cord does not come into contact with hot surfaces.
3. Do not leave unit in operation unattended. Disconnect the unit from the mains  
supply when not in use.

#### CLEANING PROCEDURE

1. Disconnect from the main power supply before cleaning.
2. Try to scrape as much grease and residue from surface as possible while the umit is still hot.
3. After appliance has cooled,clean cooking surface and boby using only a damp cloth.
4. Never immerse appliance in water or use jets of water to clean.
5. Wipe with a dry cloth and wait at least 30minutes before operating appliance.

#### WARRANTY

ALL appliances have 1 year limited warrantee against defects in materials and workmanship.  
This warranty is valid for 1 calendar year from the date of purchase and is subject to General  
Terms and include transport,shipment or any other charges associated with returning the  
appliance to or their service agents.

ANY work carried out by unauthorised personnel on these appliance voids all warranty.  
Warranty does not include damage caused by incorrect installation, accident, transport  
or any other means not considered part of the normal daily operation of the appliance.