



HEBVEST

performance • reliability • simplicity



operator's manual

Pizza & Snack Display Case 4 Shelves - Heated



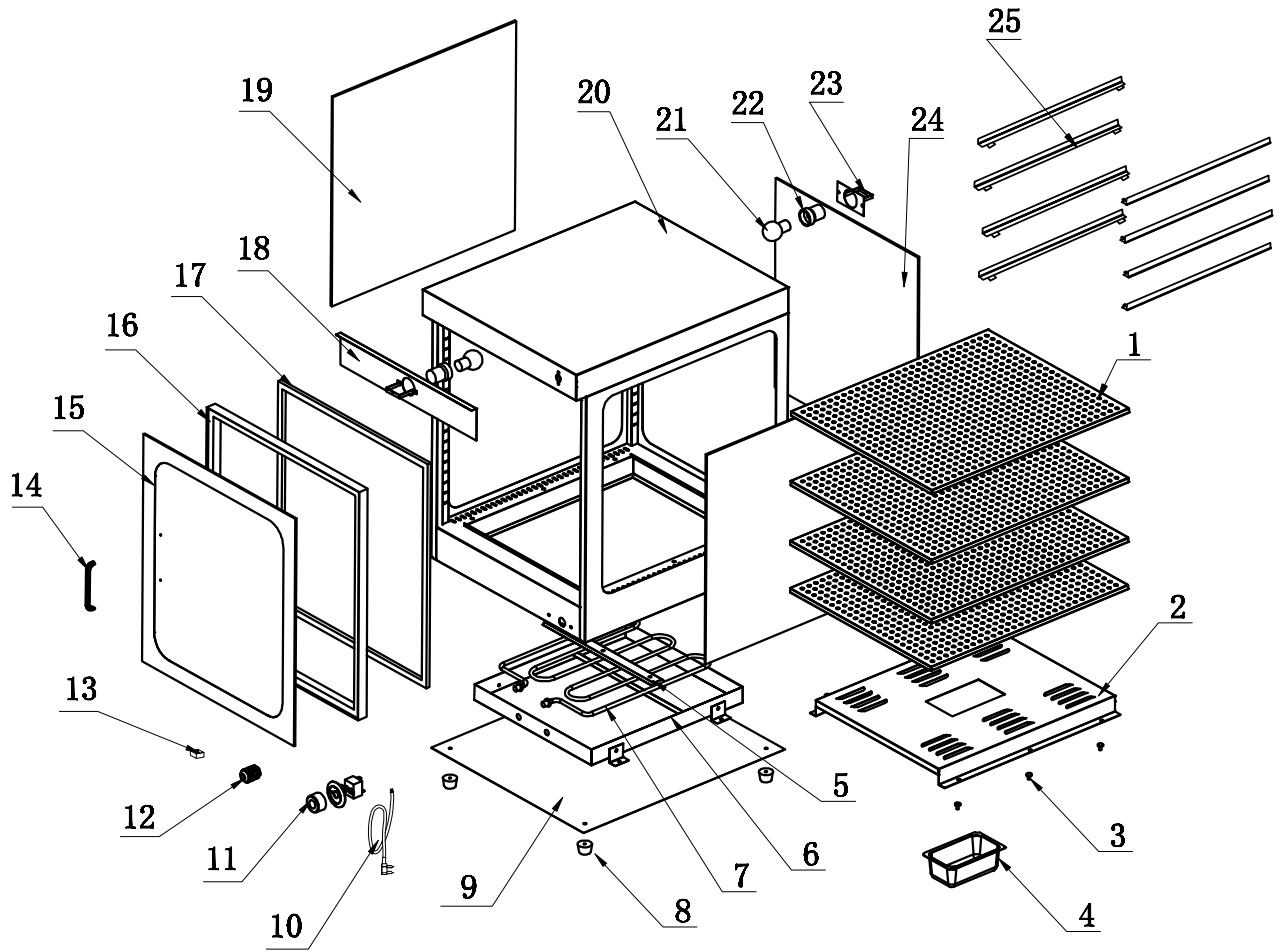
Model No.	Description	Wattage	Voltage
PD04HT	Pizza & Snack Display Case 4 Shelves	1100	120v



HEBVEST

diagrams Pizza & Snack Display Case 4 Shelves - Heated

exploded view





spare parts list Pizza & Snack Display Case 4 Shelves - Heated

Part No. of Diagram	Description	Quantity (PCS)
1	Shelf	4
2	Heater cover	1
3	Screw	6
4	Water tray	1
5	Heating element clamping plate	1
6	Heating element installation plate	1
7	Heating element	1
8	Rubber feet	4
9	Bottom cover board	1
10	Power cord	1
11	Thermostat	1
12	Wire clip	1
13	Terminal block	1
14	Door handle	1
15	Door glass	1
16	Door frame	1
17	Door magnetic stripe	1
18	Light bulb mounting plate	1
19	Side glass	2
20	Top cover	1
21	Light bulb	2
22	Lamp cap / Ceramic	2
23	Light bulb mounting plate	1
24	Back glass	1
25	Shelf support plate	8



USE Pizza & Snack Display Case 4 Shelves - Heated

function & purpose:

This unit is designed to hold prepared foods for a prolonged period of time while maintaining that "freshly-made" quality

Before using all surfaces and parts must be cleaned and dried thoroughly.

operation:

- Plug the equipment into a properly grounded electrical supply matching the nameplate.
- Set the thermostat to the desired temperature. The pilot light will glow indicating the element is heating. Once the temperature has been reached the light will turn off. Unit will continue to cycle with the pilot light going on and off.
- Allow the unit 50 minutes to reach operating temperature before loading the cabinet with pre-heated food.
- After each use unplug equipment, turn off and let it cool down before cleaning or moving

trouble shooting:

Problem	Possible Solution
Lights not working	Re-install or replace bulb
Unit is plugged in, but nothing works	Check electrical receptacle ensuring power supply matches specifications
Unit is not heating	Defective elements - Contact manufacturer