



HEBVEST

performance • reliability • simplicity



operator's manual

Immersion Blender - 16"



Model No.	Description	Watts.
IB16HD	16" Immersion Blender	500



HEBVEST

performance • reliability • simplicity

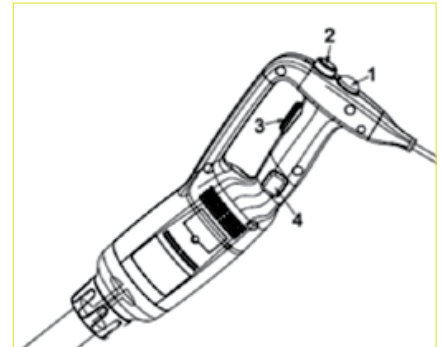


operator's manual

Immersion Blender - 16"

starting and stopping **the blender:**

1. Check that the on-off button (No.3) is in the released position.
2. Connect the appliance to the power supply.
3. Insert the tube or whisk into the appliance.
4. Press and hold down the safety button (No.1) if the appliance has.
5. Press the on-off button (No.3), and the blender will start up.
6. To stop the blender, release the on-off button (No.1) and then the safety button (No.1) will release automatically.



continuous **operation:**

Follow steps 1 to 5 above, then:

6. While the on-off button (No.3) is in the depressed position, press the locking button (No.4).
7. Release the on-off button (No.3), and the appliance will function continuously.
8. To stop the appliance, press and release the on-off button (No.3).

variable speed **operation:**

Follow steps 1 to 5 above, then:

9. Change the speed of the motor by turning the variable speed button (No.2) towards the maximum or minimum as required. **It is advisable to start a low speed when using the whisk.** With the self-regulating speed system, once you have selected a speed, it will remain constant, even if the consistency of your mixture changes.



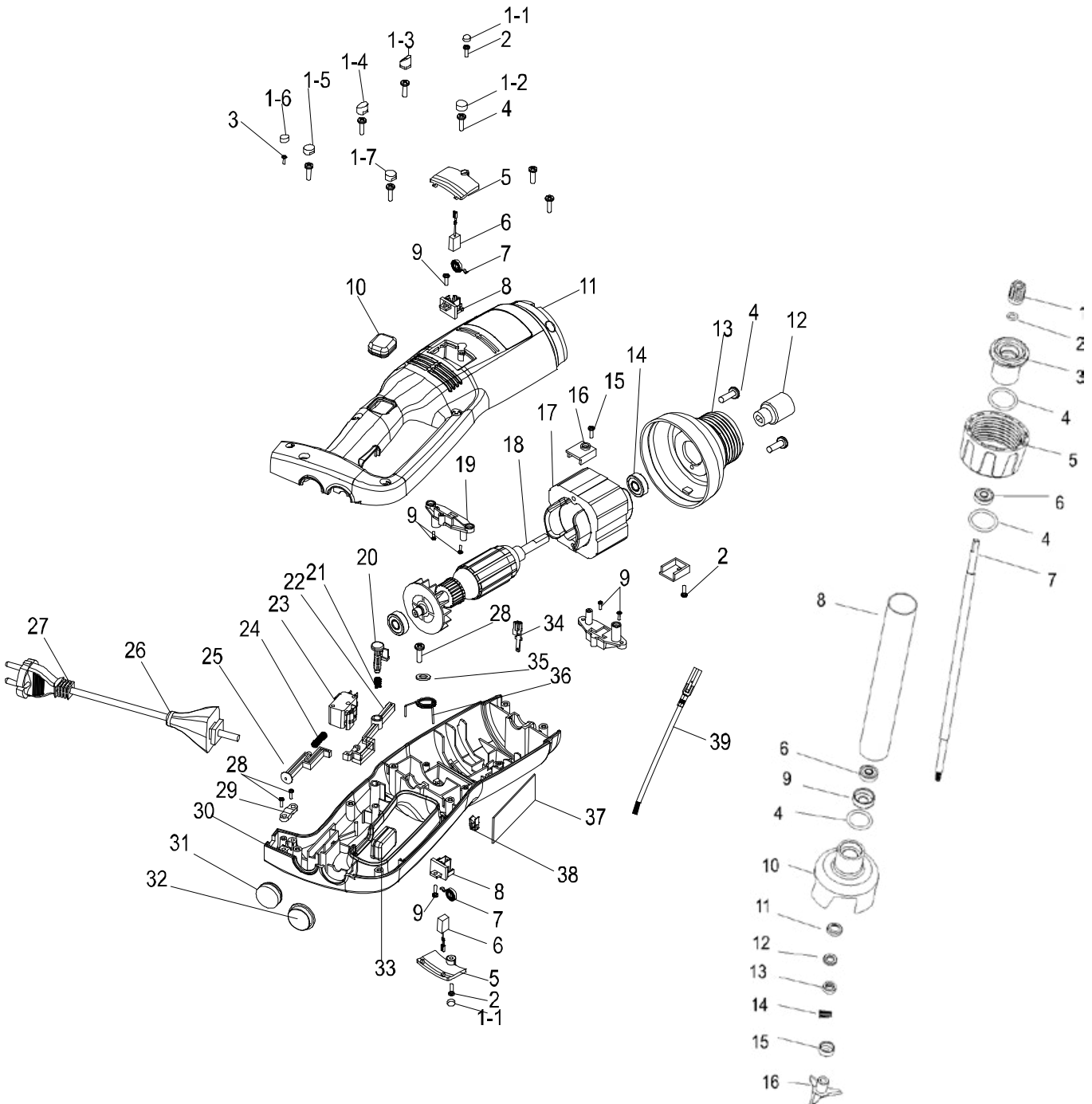
HEBVEST

performance • reliability • simplicity



operator's manual Immersion Blender - 16"

exploded view:





HEBVEST

performance • reliability • simplicity



operator's manual

Immersion Blender - 16"

exploded view **spare parts list:**

Part No.	Part Name	Part No.	Part Name
1-1	Screw plunger 1	25	Push bolt
1-2	Screw plunger 2	26	Cable sheath
1-3	Screw plunger 3	27	Power cord
1-4	Screw plunger 4	28	Pressing board screw
1-5	Screw plunger 5	29	Pressing board
1-6	Screw plunger 6	31	Rubber push sheath
2	3*12 CB Screw	32	Speed control key
3	3*15 CB Screw	33	Switch sheath
4	M4*1 Screw	34	Male plug
5	Brush cover	35	Speed control board
6	Brush	36	Switch osculant staff spring
7	3246 Brush cylinder spring	37	Speed control board
8	Brush rack	38	Female plug
9	3*12 CB Screw	39	Lead wire of female plug
10	Rubber interlocking protector	1	Spline sleeve
11	Left housing	2	Spline sleeve seal ring
30	Right housing	3	Connect sleeve
12	Spline sleeve	4	connect sleeve seal ring
13	Aluminium head	5	Fastening sleeve
14	608 Bearing	6	608 bearing
15	Motor fixed board Screw	7	Output axis
16	Motor fixed board	8	304 S/S tube
17	IB500W Stator	9	Bearing sleeve
18	IB500W Rotor	10	Knife protector
19	Brush fixed rack	11	Ceramic ring sleeve
20	Interlocking push bolt	12	Ceramic ring
21	Interlocking push bolt Spring	13	Graphite ring
22	Switch osculant staff	14	Graphite ring spring
23	Switch	15	Convex ring
24	Push bolt spring	16	Blade



HEBVEST

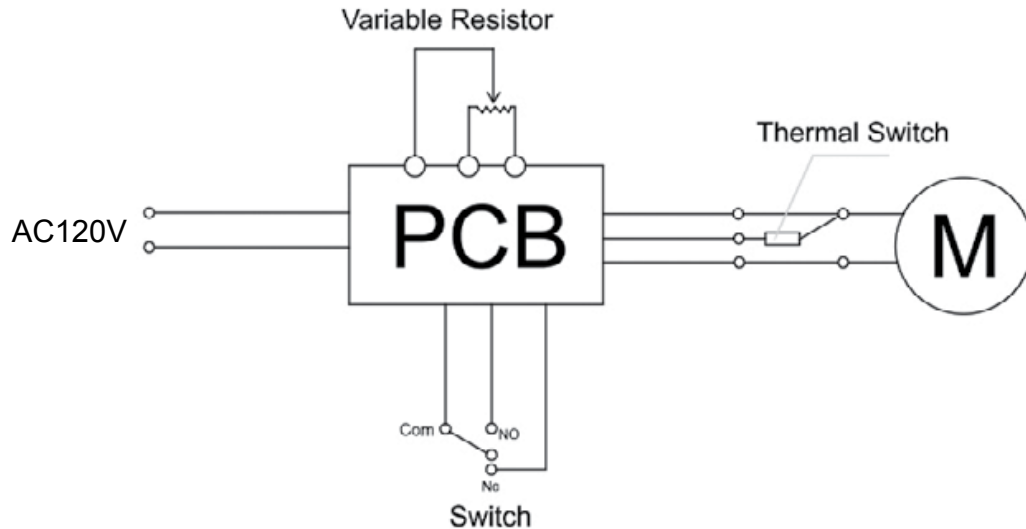
performance • reliability • simplicity



operator's manual

Immersion Blender - 16"

wiring diagram:



cleaning guide:

As a precaution, always unplug your appliance before cleaning it.

1. After using the Immersion Blender in a hot preparation, cool the bottom of the tube in cold water before dismantling the bell from the tube. After completion of preparation, clean immediately to prevent food from sticking to surfaces.
2. Never put the motor unit and its handle in water, clean them with a damp cloth or a sponge.
3. Blender Tube and Bell cleaning: Place the tube and bell into a suitable container with water and switch on for a few seconds to clean the bell and tube. **WARNING:** Always dry the blades thoroughly after cleaning to avoid spotting.
4. It is vital to clean it thoroughly between each job using a detergent or disinfectant, but never use pure bleach. For plastic parts, do not use detergents that are too alkaline.